

LIGHT-DUTY TELESCOPIC CYLINDER

WWW.JNHCIC.COM



HYDRAULIC POWER PACK



EZ CYLINDER



QT CYLINDER



BRACKET OF CYLINDER



TRIPLE WAY BRACKET OF CYLINDER



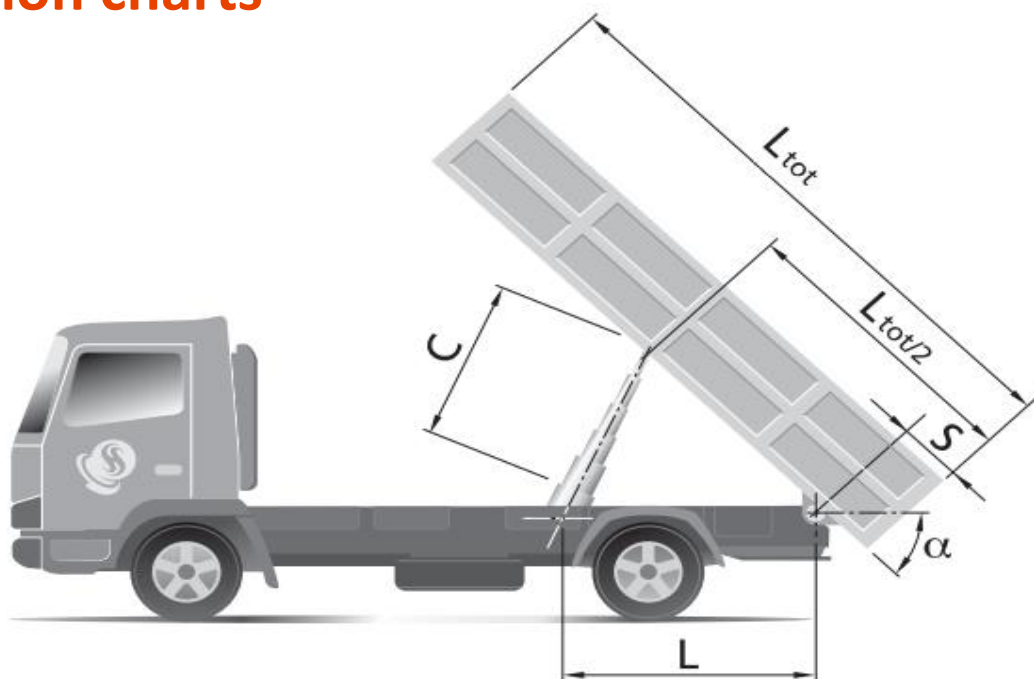
TRAILER PARTS

General Information

HCIC designs, manufactures and distributes a complete range of under - body cylinders with all the necessary cradles and supports for tractors and semi - trailers with rear, side or 3 - way tipper agriculture trailers. Single or double cylinders. Cradles and supports.

The seals used are highly resistant to permanent deformation and wear, with a working temperature from -40°C $\sim +110^{\circ}\text{C}$.

Selection charts



$$C_{[mm]} = 2L_{[mm]} \sin\left(\frac{\alpha_{[rad]}}{2}\right)$$

The stroke is identified by crossing the pivot length(L) with the requested tipping angle(°).

STROKE C						
L	BODY TILTING					
	α (°)					
mm	40	45	48	50	55	60
500	342	383	407	423	462	500
750	513	574	610	634	693	750
1000	684	765	813	845	923	1000
1100	752	842	895	930	1016	1100
1200	821	918	976	1014	1108	1200
1300	889	995	1058	1099	1201	1300
1400	958	1072	1139	1183	1293	1400
1500	1026	1148	1220	1268	1385	1500
1600	1094	1225	1302	1352	1478	1600
1700	1163	1301	1383	1437	1570	1700
1800	1231	1378	1464	1521	1662	1800
1900	1300	1454	1546	1606	1755	1900
2000	1368	1531	1627	1690	1847	2000
2150	1471	1646	1749	1817	1986	2150
2300	1573	1760	1871	1944	2124	2300
2450	1676	1875	1993	2071	2263	2450
2600	1779	1990	2115	2198	2401	2600
2750	1881	2105	2237	2324	2540	2750
3000	2052	2296	2440	2536	2770	3000
3200	2189	2449	2603	2705	2955	3200

C
mm
POWER STROKE

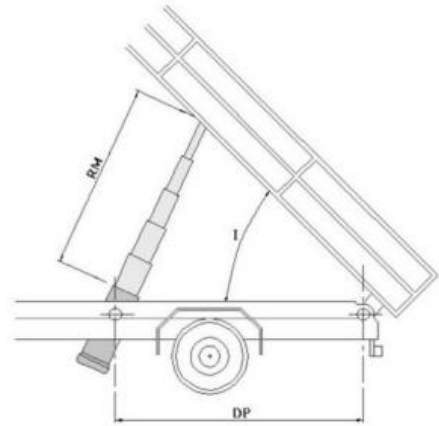
Body Tilting Tables

RM = Jack Stroke.

DP = Distance between pins in mm.

I = Box tilting

NOTE: Make sure that the jack does not bottom out and the box does not rest on it When in the home position.



Body tilting table based on the distance of the pins and the cylinder strokes

RM \ I \ DP	600	680	700	800	850	900	950	1000	1050	1150	1200	1250	1300	1500	1700	1850	1900	2150	2300	2600				
800	44°	50°	52°	60°																				
900		44°	45°	53°	60°																			
1000		40°	41°	47°	50°	53°	57°	60°																
1100				43°	45°	48°	51°	54°	57°															
1200					41°	44°	47°	49°	52°	57°														
1300						40°	43°	45°	48°	52°	55°	58°												
1400							40°	42°	44°	48°	51°	53°	55°											
1500									41°	45°	47°	49°	51°	60°										
1600										42°	44°	46°	48°	56°										
1700											41°	43°	45°	52°	60°									
1800												41°	42°	49°	56°	62°								
1900													40°	46°	53°	58°	60°							
2000														44°	50°	55°	57°							
2100															42°	48°	52°	54°	62°					
2200																40°	45°	50°	51°	58°				
2300																	43°	47°	49°	56°	60°			
2400																		41°	45°	47°	53°	57°		
2500																			40°	44°	45°	51°	55°	
2600																				42°	43°	49°	53°	60°
2700																				40°	41°	47°	50°	58°
2800																					40°	45°	48°	55°

THRUST							
EXTENSION Ø(mm)	PRESSIONE PRESSURE						
	bar						
	50	75	100	125	150	175	200
30	4	5	7	9	11	12	14
45	8	12	16	20	24	28	32
60	14	21	28	35	42	49	57
75	22	33	44	55	66	77	88
90	32	48	64	80	95	111	127
105	43	65	87	108	130	152	173
130	72	107	143	179	215	250	286

$$S_{[kN]} = \frac{\pi}{4} d_{[mm]}^2 \frac{p_{[bar]}}{10000}$$

The thrust is a force generated by oil under pressure, which lifts the stage of the cylinder.
 “D” is the diameter of the stage.

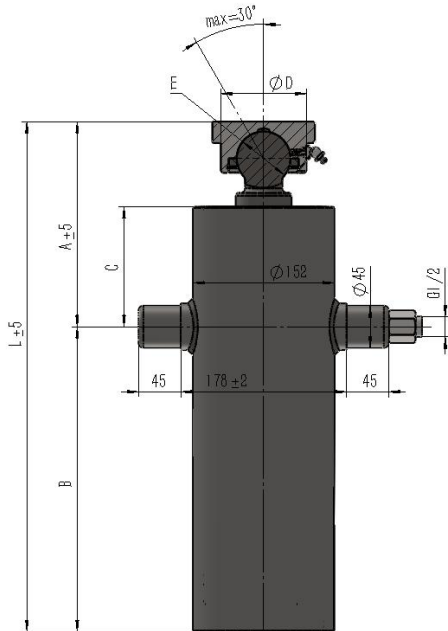
QUICK REFERENCE SELECTION CHART							
TYPE	TOTAL MASS						
	ton						
	20~25	15~20	13~15	11~13	9~11	7~9	4~7
L130	4	5	6				
L105				3	4	5	6
L90					3	4	5
L75						2	3



Depending on the total tipping weight, the chart identifies the most suitable model and number of stages available.

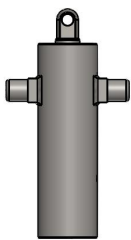
L 130

EFFECTIVE DIAMETER(mm)130 • 105 • 90 • 75 • 60 • 45

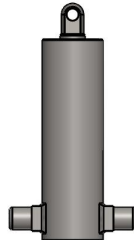


OPTIONS:
G1/2、 G3/8、
M22、 M18、
NPT1/2

OPTION with ROD EYE - PIN

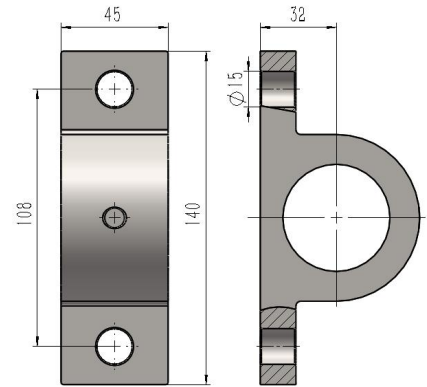


OPTION with ROD EYE - LOWER PIN

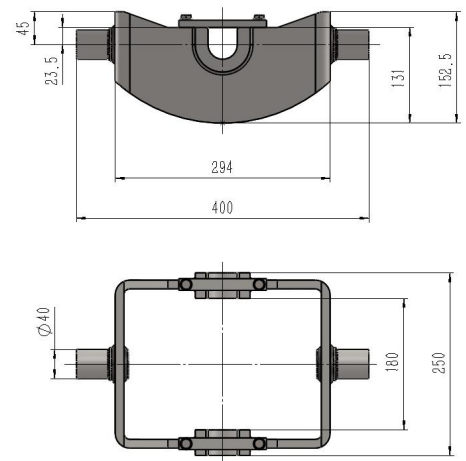


ACCESSORIES

CYLINDER SUPPORT



CRADLE

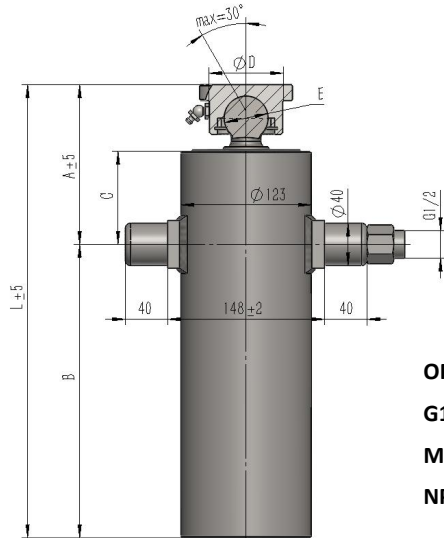


L 130 TECHNICAL DATA

MODEL	EXTENSION N.	POWER STROKE	MASS	WORKING VOLUME	MAX. WORKING PRESSURE	TIPPING CAPACITY	L	A	B	C	D	E
		mm	kg	L	bar	ton	mm					
6TG-E130x1947	6	1947	53	14	180	11-18	543	216	327	132	92	58
5TG-E130x1625	5	1625	56	13.5	180	13-22	543	216	327	132	92	58
4TG-E130x1307	4	1307	58	13.7	180	15-25	545	216	329	132	92	58
6TG-E130x1383	6	1383	42	9.8	180	11-18	449	216	233	132	92	58
5TG-E130x1155	5	1155	45	9.3	180	13-22	449	216	233	132	92	58
4TG-E130x930	4	930	47	9.8	180	15-25	451	216	235	132	92	58
6TG-E130x1197	6	1197	39	8.5	180	11-18	418	216	202	132	92	58
5TG-E130x1000	5	1000	43	8.0	180	13-22	418	216	202	132	92	58
4TG-E130x806	4	806	43	8.5	180	15-25	420	216	204	132	92	58

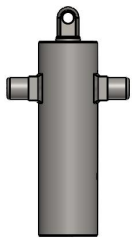
L 105

EFFECTIVE DIAMETER(mm)105 • 90 • 75 • 60 • 45 • 30

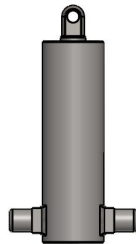


OPTIONS:
G1/2、 G3/8、
M22、 M18、
NPT1/2

OPTION with ROD EYE - PIN

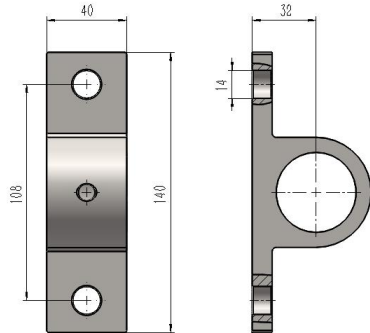


OPTION with ROD EYE - LOWER PIN

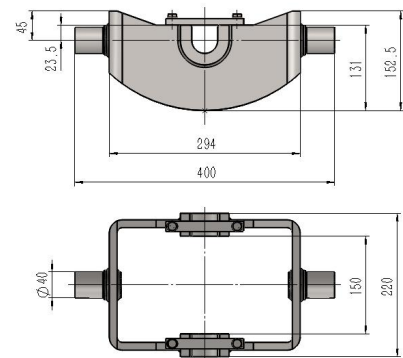


ACCESSORIES

CYLINDER SUPPORT



CRADLE

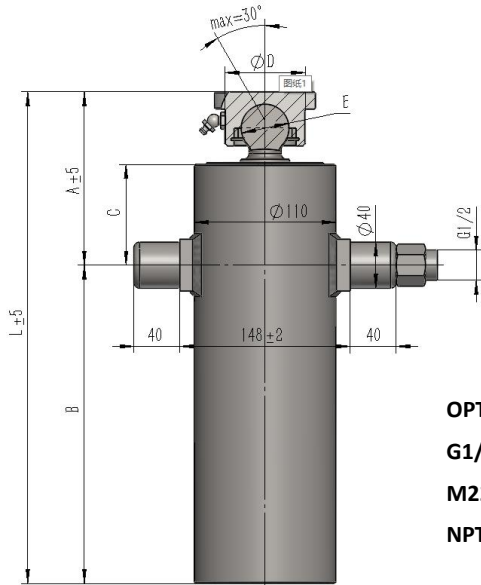


L 105 TECHNICAL DATA

MODEL	EXTENSION N.	POWER STROKE	MASS	WORKING VOLUME	MAX. WORKING PRESSURE	TIPPING CAPACITY	L	A	B	C	D	E
		mm	kg	L	bar	ton	mm					
5TG-E105x1872	5	1872	38	10.1	200	6-12	557	159	398	100	74	43
4TG-E105x1492	4	1492	41	9.3	200	8-15	569	175	394	100	92	58
5TG-E105x1432	5	1432	30	7.7	200	6-12	469	159	310	100	74	43
4TG-E105x1140	4	1140	34	7.1	200	8-15	481	175	206	100	92	58
3TG-E105x855	3	855	35	6.1	200	10-18	481	175	306	100	92	58
5TG-E105x1237	5	1237	28	6.6	200	6-12	430	159	271	100	74	43
4TG-E105x984	4	984	30.5	6.1	200	8-15	442	175	267	100	74	43
4TG-E105x984	4	984	30.6	6.1	200	8-15	442	175	267	100	92	58
5TG-E105x1050	5	1050	25	5.6	200	6-12	393	159	234	100	74	43
4TG-E105x816	4	816	27	5.1	200	8-15	384	159	225	100	74	43
6TG-E105x1172	6	1172	22	5.4	200	5-9	375	159	216	100	74	43
5TG-E105x1200	5	1200	27	6.4	200	6-12	423	159	264	100	74	43

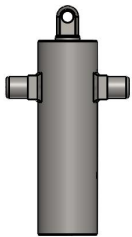
L 90

EFFECTIVE DIAMETER(mm)90 • 75 • 60 • 45 • 30

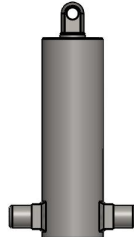


OPTIONS:
G1/2、 G3/8、
M22、 M18、
NPT1/2

OPTION with ROD EYE - PIN

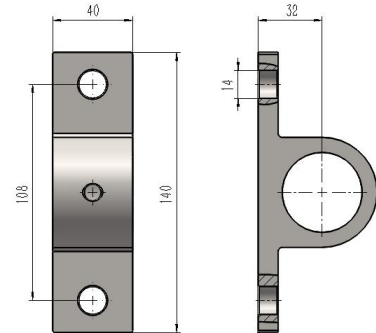


OPTION with ROD EYE - LOWER PIN

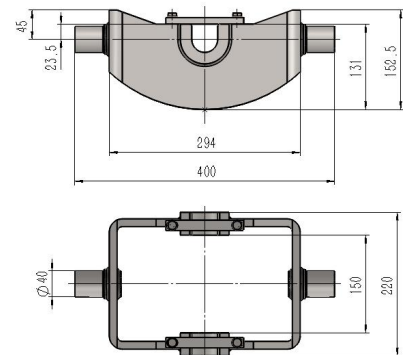


ACCESSORIES

CYLINDER SUPPORT



CRADLE

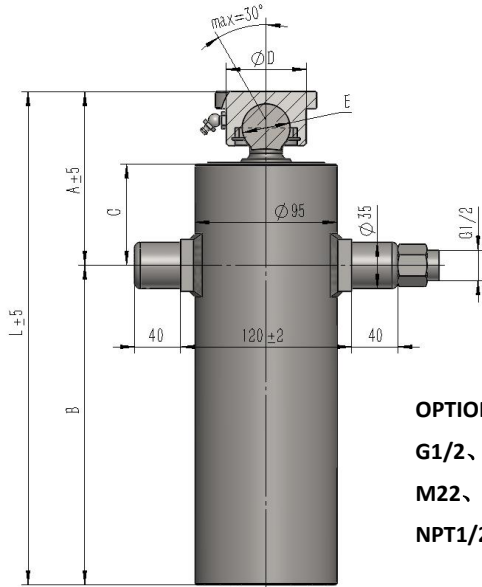


L 90 TECHNICAL DATA

MODEL	EXTENSION N.	POWER STROKE	MASS	WORKING VOLUME	MAX. WORKING PRESSURE	TIPPING CAPACITY	L	A	B	C	D	E
		mm										
3TG-E90x1199	3	1199	35	6.2	220	5-14	598	160	438	108	92	58
4TG-E90x1140	4	1140	25	4.9	220	5-11	482	160	322	100	74	43
3TG-E90x848	3	848	26	4.3	220	5-14	480	160	320	100	74	43
5TG-E90x1256	5	1256	25	4.7	220	4-8	449	160	289	100	74	30
4TG-E90x1050	4	1050	24	4.5	220	5-11	460	160	300	100	74	43
4TG-E90x984	4	984	23	4.3	220	5-11	444	160	284	100	74	43
4TG-E90x816	4	816	21	3.5	220	5-11	102	160	242	100	74	43
4TG-E90x676	4	676	19	2.9	220	5-11	367	160	207	100	74	43

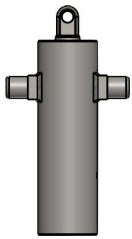
L 75

EFFECTIVE DIAMETER(mm)75 • 60 • 45

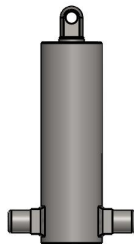


OPTIONS:
G1/2、 G3/8、
M22、 M18、
NPT1/2

OPTION with ROD EYE - PIN

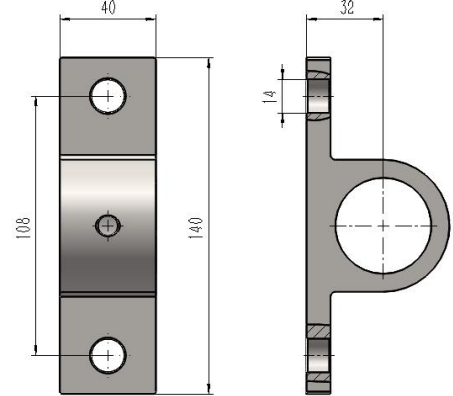


OPTION with ROD EYE - LOWER PIN

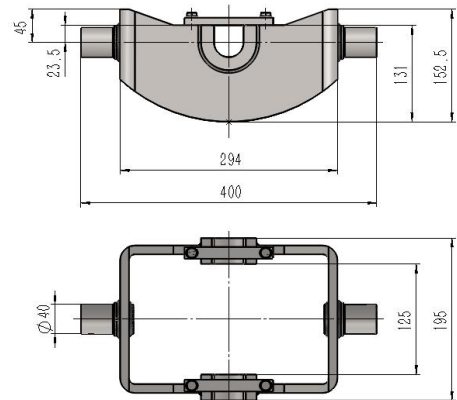


ACCESSORIES

CYLINDER SUPPORT



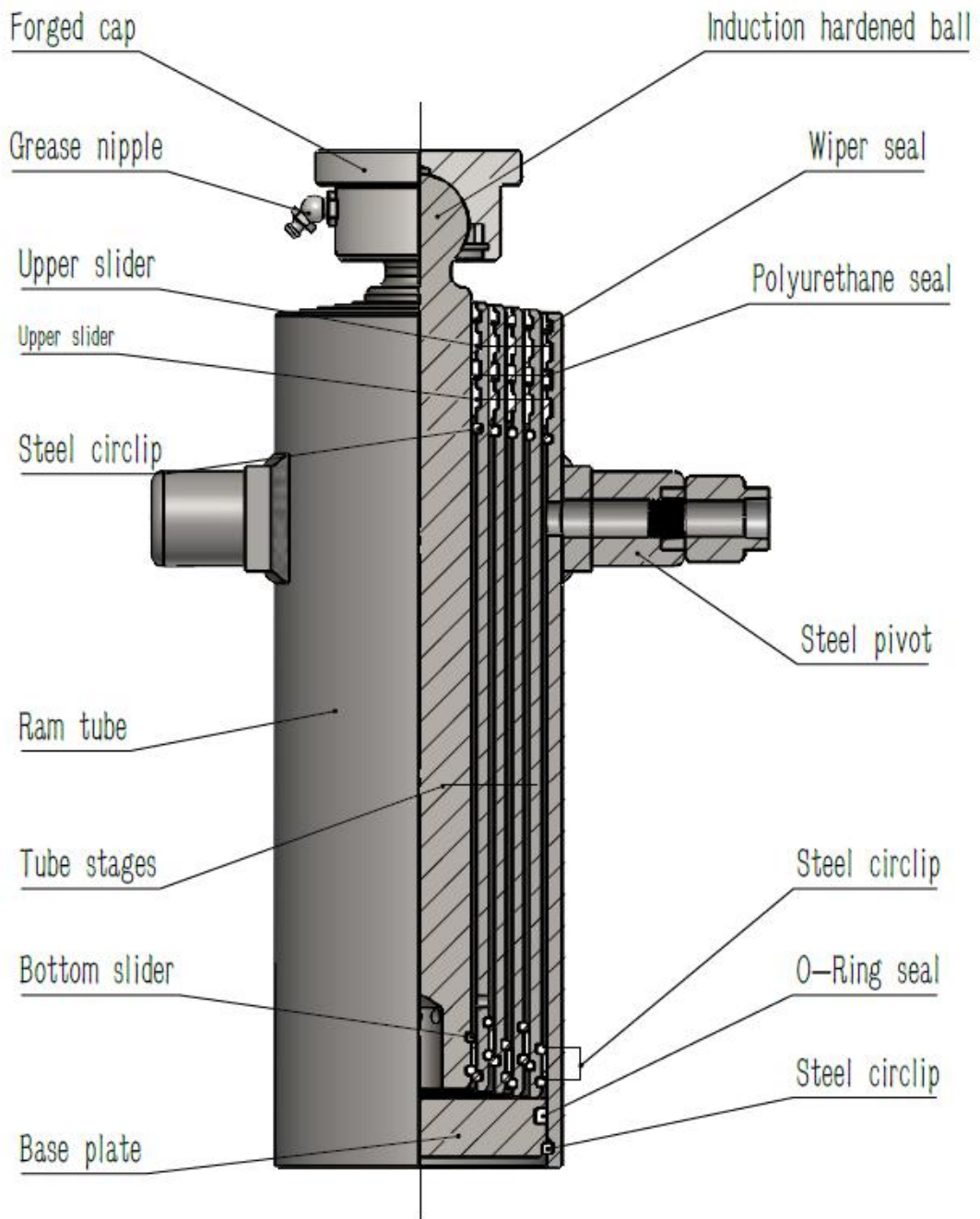
CRADLE



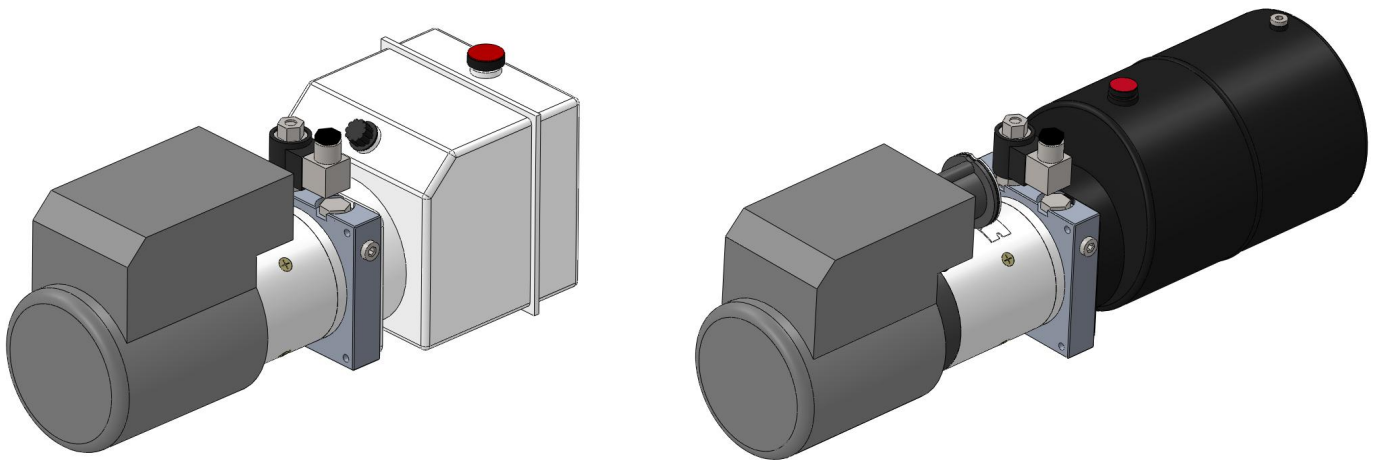
L 75 TECHNICAL DATA

MODEL	EXTENSION N.	POWER STROKE	MASS	WORKING VOLUME	MAX. WORKING PRESSURE	TIPPING CAPACITY	L	A	B	C	D	E
		mm	kg	L	bar	ton	mm					
3TG-E75x1055	3	1055	22	3.6	220	4-9	523	150	373	95	74	43
3TG-E75x910	3	910	20.5	3.1	220	4-9	475	150	325	95	74	43
3TG-E75x860	3	860	20	2.9	220	4-9	458	150	308	95	74	43

Assembly



Hydraulic Power Pack



TECHNICAL DATA	
Motor Voltage	DC12V、DC24V
Motor Power	1.6KW、2KW
Valve Voltage	DC12V、DC24V
Oil Pump	1.6cc/r、2.1cc/r
Oil Tank Material	steel 、 plastic
Oil Tank Volume	4L、 6L、 8L
System Pressure	5~17.5Mpa
Setting Model	Horizontal
Oil Port	G3/8"
Remote	yes
Special Requirement	

